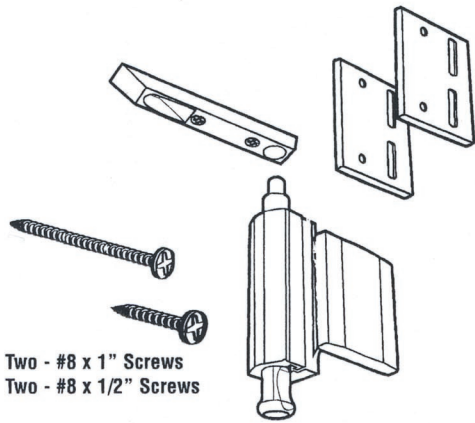


Patio Door Guardian™ Installation Instructions



Two - #8 x 1" Screws
Two - #8 x 1/2" Screws

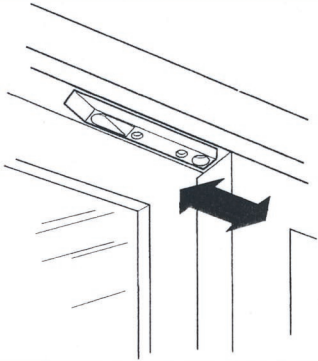
Tools Required:



Drill
3/32" Drill Bit
7/16" Drill Bit



Phillip's Screwdriver



Step 1.

Slide the door to a fully opened position. Apply the keeper into the top track in an approximate final position and slide door back and forth to insure that the keeper will not interfere with door movement.

NOTE: If keeper interferes with proper door movement, you may be able to drill a 7/16" diameter hole directly into the header. This will accommodate the lock bolt. To utilize this method, use the template provided on the other side of this sheet.

Step 2.

Place lock on door stile to insure proper handing for your application.

To change handing: Slide off housing cover and rotate the lock pin 180° in housing. Slide housing cover back over lock pin from opposite end. (See Fig. 2A.)

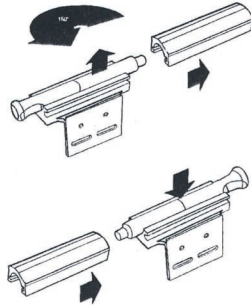
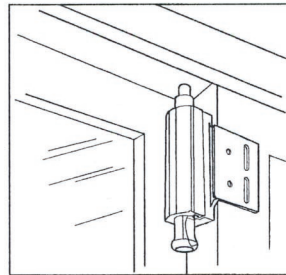
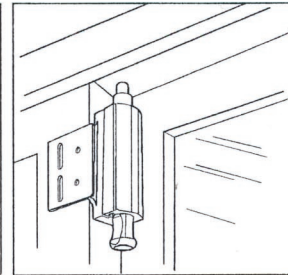


Fig. 2A



Opening right to left



Opening left to right

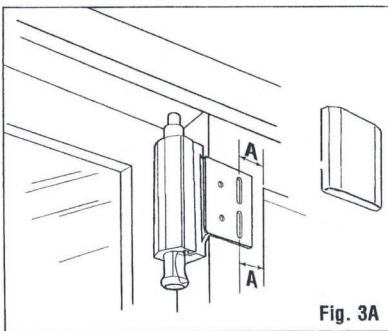


Fig. 3A

Step 3. - EXTREMELY IMPORTANT!

Place lock on door stile and **MEASURE THE DISTANCE BETWEEN THE OBLONG SCREW HOLES AND THE EDGE OF THE DOOR STILE** or frame edge on the **GLASS SIDE**. (See Fig. 3A)

If it is LESS THAN 3/4" - DO NOT USE THESE SCREW HOLES TO MOUNT YOUR LOCK - YOU MAY SHATTER THE GLASS!

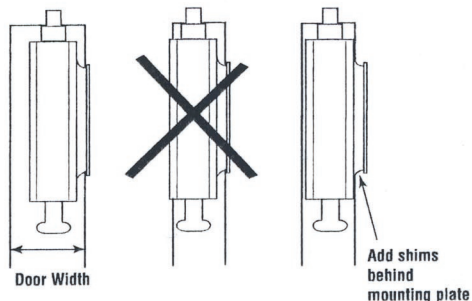
If it is more than 3/4", you will use the short screws to mount the lock in the oblong holes. The longer security screws are mounted nearest the locking edge of the door.

Remember - Measurement "A" MUST BE 3/4" OR MORE!

Step 4.

Place lock on door stile and determine if lock is wider than the door frame edge. If it is not, no adjustment is necessary. If your lock is wider than the door frame, it will be necessary to use the shim(s) that are included with your lockset. Determine if one or two shims are necessary and proceed to the mounting instructions.

Important - When marking screw holes with the provided templates, always place the template ON TOP OF THE SHIM(S) to give accurate centering.



Door Width

Add shims behind mounting plate

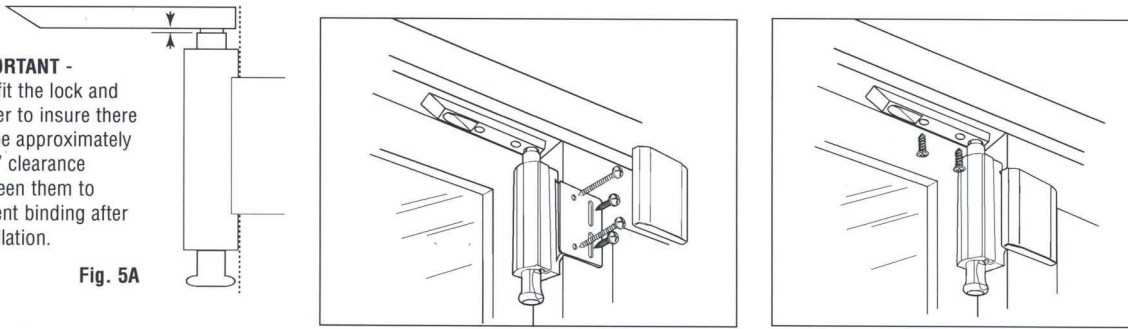
Step 5. Final Mounting

Place assembly, including any shims necessary on door, leaving 1/16" clearance between face of lockpin and keeper. (See Fig. 5A) Mark position of pilot holes in door stile and pre-drill using a 3/32" drill bit. (**Remember, DO NOT DRILL WITHIN 3/4" OF GLASS DOOR EDGE!**) Mount lock securely in position.

Position keeper in alignment with lockpin, Mark and pre-drill two mounting holes using a 3/32" drill bit. Mount keeper in upper track and test for proper operation.

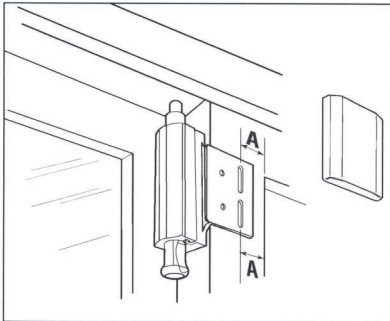
IMPORTANT -
Test fit the lock and keeper to insure there will be approximately 1/16" clearance between them to prevent binding after installation.

Fig. 5A



for installation without KEEPER: (NOTE: First determine if your door is LEFT or RIGHT sliding for the proper template.)

1. - Cut out the installation template below and fold along the dotted lines. Tape the template to the frame of your sliding door, making sure it is properly aligned. *Important - When marking screw holes with the provided templates, always place the template ON TOP OF THE SHIM(S) to give accurate centering.*
2. - Using a 3/32" drill bit, drill pilot holes through the installation template for holes 1 and 2 (SEE WARNING BELOW). Using the same drill bit, drill hole 3 in the upper track as a guide, drilling approximately 3/4" deep.
3. - Remove the template and replace the 3/32" drill bit with a 7/16" bit. Using hole 3 in the upper track as a centering guide, drill the large hole approximately 3/4" deep. This will serve as your keeper.



WARNING! EXTREMELY IMPORTANT!

Place lock on door stile and **MEASURE THE DISTANCE BETWEEN THE OBLONG SCREW HOLES AND THE EDGE OF THE DOOR STILE** or frame edge on the **GLASS SIDE**. (See Fig. 3A)

If it is LESS THAN 3/4" - DO NOT USE THESE SCREW HOLES TO MOUNT YOUR LOCK - YOU MAY SHATTER THE GLASS!

If it is more than 3/4", you will use the short screws to mount the lock in the oblong holes. The longer security screws are mounted nearest the locking edge of the door.

Remember - Measurement "A" MUST BE 3/4" OR MORE!

